

Scale 1:1
Please see page 2 / 2

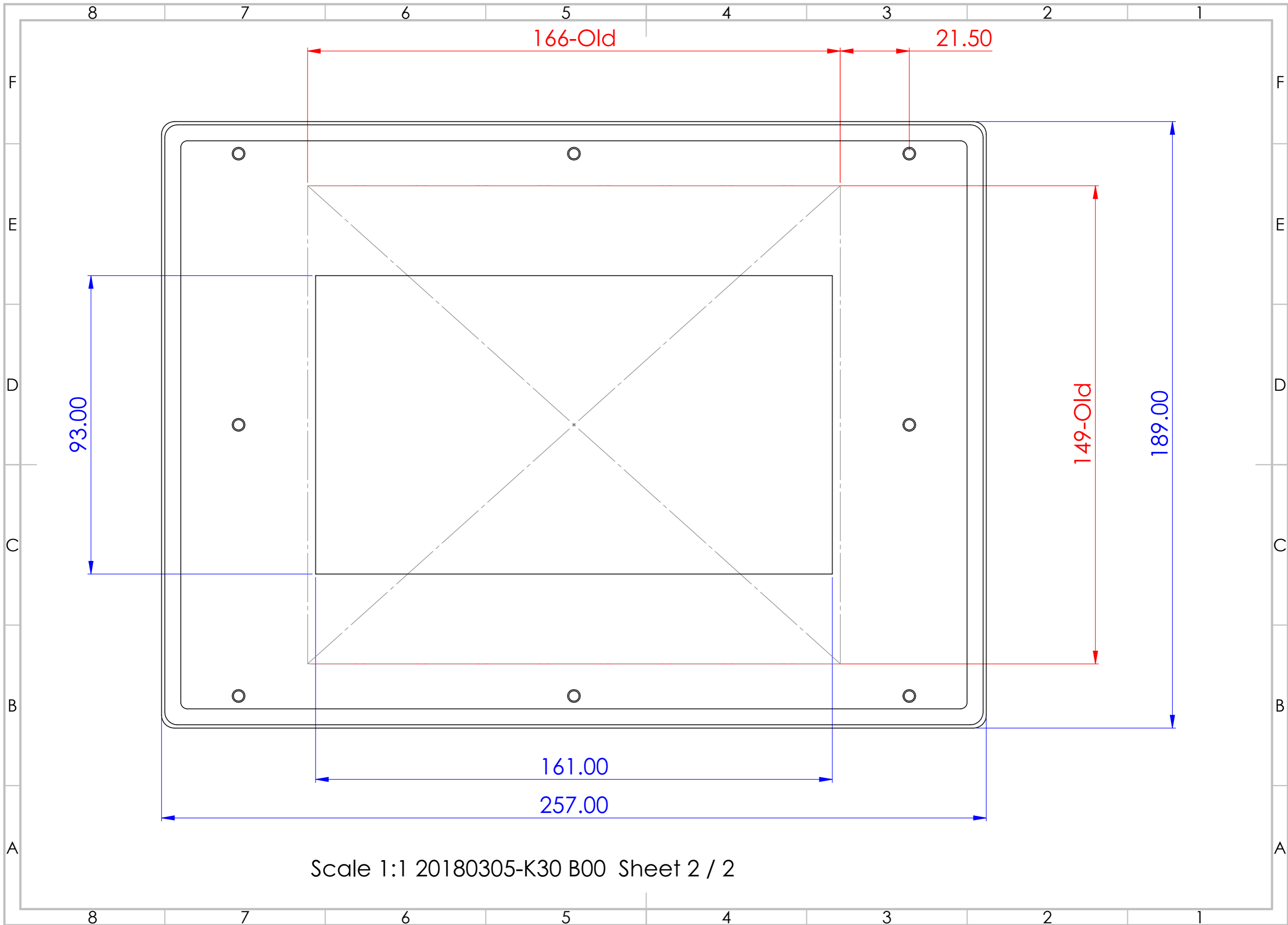
Note.
Standard nut M4 = 8 pcs.
Lock washer M4 = 8 pcs
put it in a separate zip bag in the package

Sheet 1 / 2

ITEM NO.	PART NUMBER	DESCRIPTION	QTY.
1	EXTER K30	EG=2.0T mm	1
2	PEM FH-M4-12 X--N		8
3	Gasket K30	T=2.0 mm.	1
4	1700000030	Nut M4	8
5	1721480160	Lock Washer M4	8
6	2200000504	Powder paint interpon 610 silver fine texture	0.01

All dimensions are in millimeter.

<p>GPV Asia (Thailand) Co., Ltd. 88 Moo 4, Bangpoo Industrial Estate Soi 11-12, Subpramit Road, Bangpoo District, Samut Prakan 10280, Thailand Tel: +66 (0) 2709 2550 Fax: +66 (0) 2709 2564</p>		<p>MATERIAL: -</p> <p>SURFACE TREATMENT:</p> <p>CUSTOMER: Beijer</p> <p>CUSTOMER/NO.:</p> <p>DESCRIPTION: Adaptor plate from k30/E1032 to x base5</p> <p>GPV ITEM NO.: 2180305-K30 B00</p> <p>PROJECT NO.:</p>	<p>THIS DRAWING REMAINS THE EXCLUSIVE PROPERTY OF THE GPV GROUP. IT SHALL NOT BE COPIED, REPRODUCED, DISCLOSED IN PART OR IN WHOLE, OR OTHERWISE MADE AVAILABLE TO THIRD PARTY WITHOUT OUR PREVIOUS WRITTEN CONSENT.</p> <p>Surface: mm² Weight: g.</p> <p>SCALE: 1:1</p> <p>A3</p> <p>CHECKED Q/C DATE</p>
--	--	---	---



Scale 1:1 20180305-K30 B00 Sheet 2 / 2